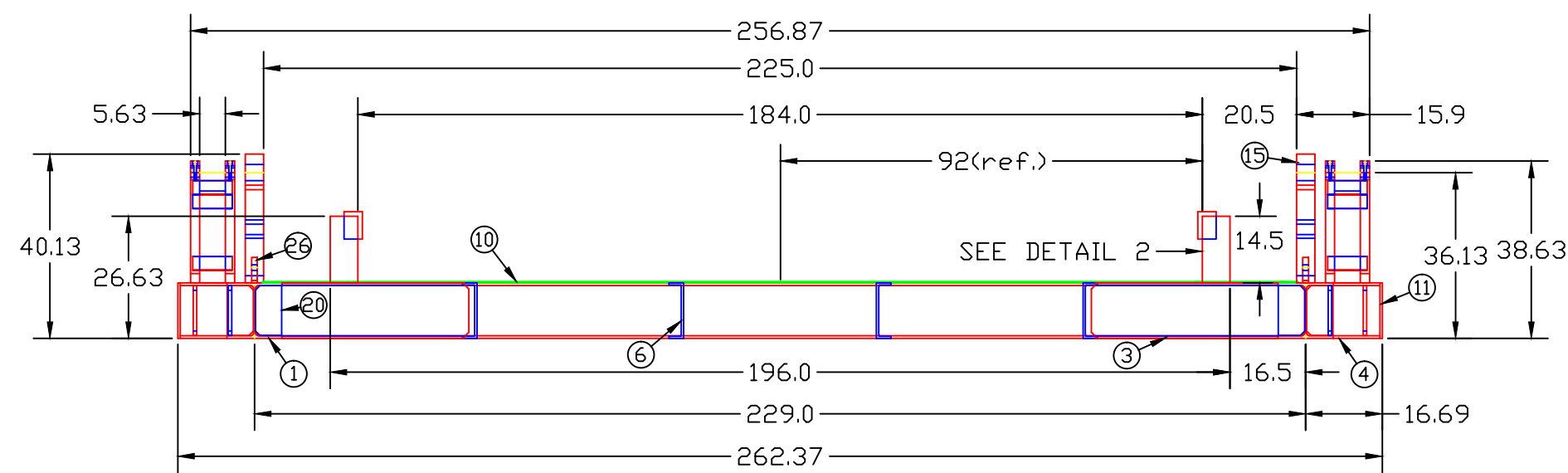
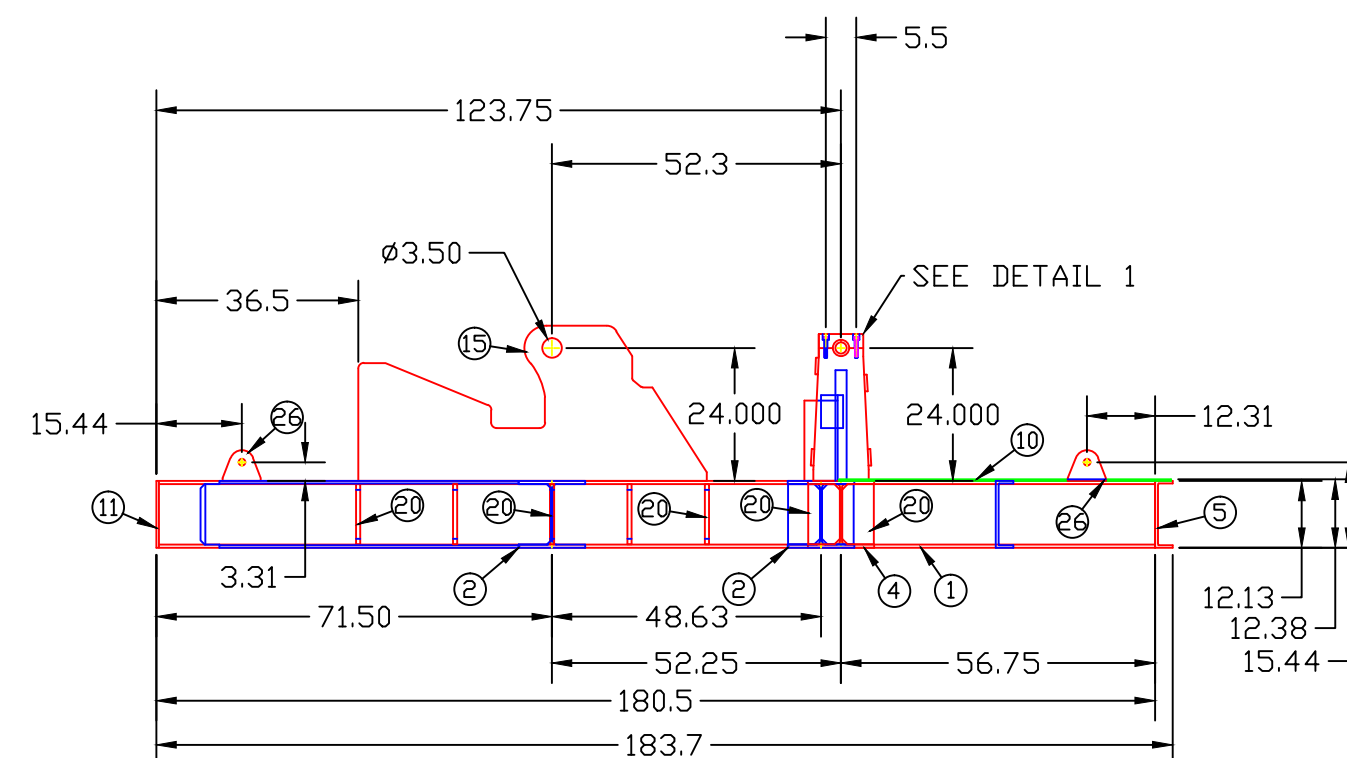


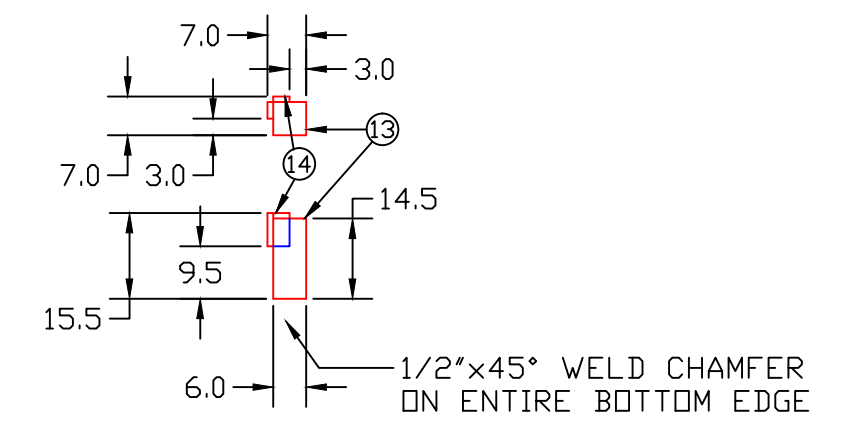
TOP VIEW



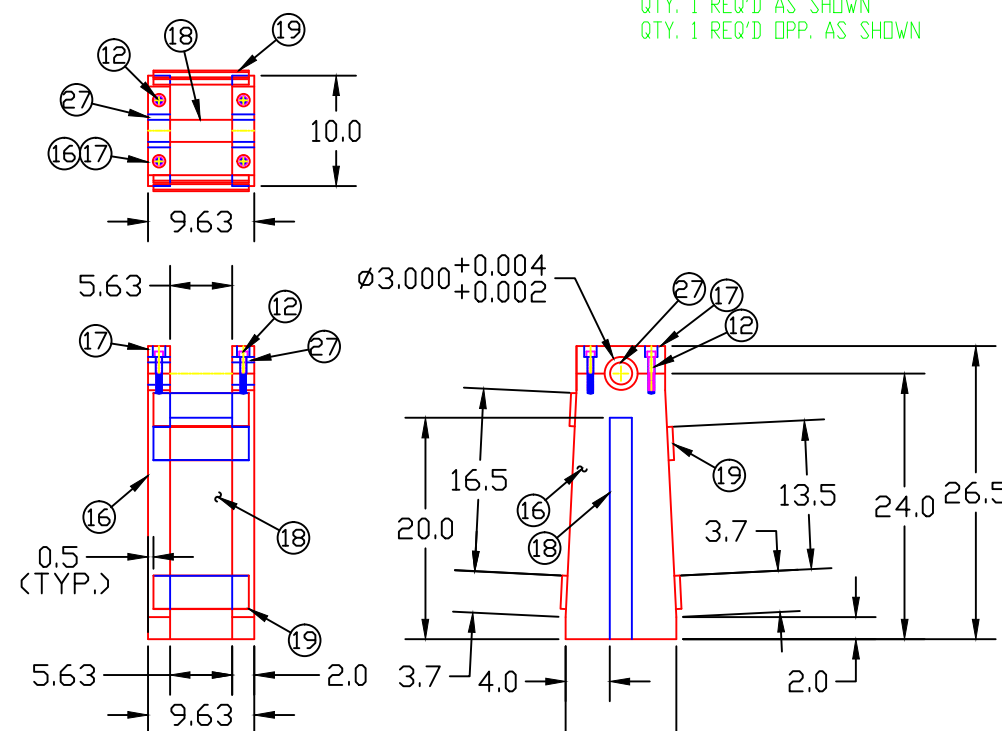
FRONT VIEW



SIDE VIEW



DETAIL 2  
QTY. 1 REQ'D AS SHOWN  
QTY. 1 REQ'D OPP. AS SHOWN



DETAIL 1  
QTY. 2 REQ'D  
SCALE 2X

PROPERTY OF B & D MACHINE WORKS INC.

|     |                      |       |         |
|-----|----------------------|-------|---------|
| ③   |                      |       |         |
| ②   |                      |       |         |
| ①   | REVISED ITEM 15      | SLS   | 8/15/13 |
| NO. | REVISION DESCRIPTION | NAME: | DATE:   |

THIRD ANGLE PROJECTION  
TOLERANCES UNLESS NOTED OTHERWISE  
3 PLACE DEC. +/- .005  
2 PLACE DEC. +/- .010  
1 PLACE DEC. +/- .020  
FRAC. +/- 1/16

**B & D MACHINE WORKS**  
EST. 1955

|                           |   |       |          |
|---------------------------|---|-------|----------|
| SCALE:                    | n/a   | DATE: | 10/15/12 |
| TITLE:                    | TUNDISH PROJECT<br>TUNDISH TURNER SKID SYSTEM |       |          |
| DRAWN BY:                 | SLS   |       |          |
| DRAWING #<br>N1485-101512 |   |       |          |
| SHEET # 2 OF 3            |   |       |          |